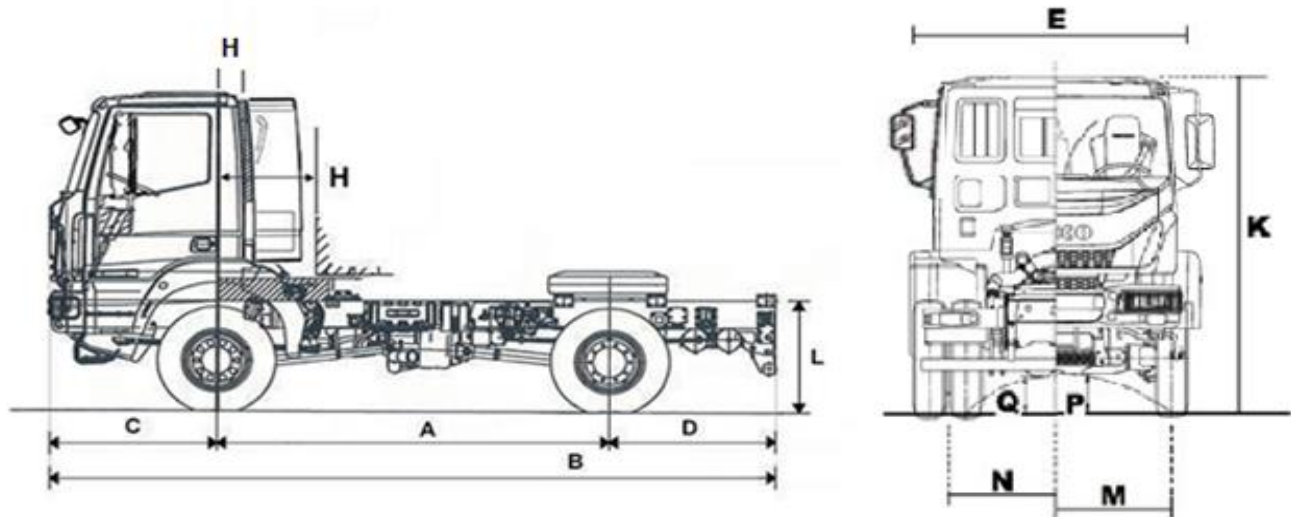


## EURO CARGO

### ML 150E24W Euro III MY16

### Rigid 4x4



WEIGHTS (kg.)	G.V.W.	G.C.W.	Front axle	Rear axle
Design weights (std.)	15000	18500	5700	10000
Design weights (opt.)	15000	21000	5700	10000

KERBWEIGHTS (kg.) cab / wb.	MLC	3240*	3690	3915	4150
Front axle		3720	3870	3765	3890
Rear axle		1945	1950	1975	2070
Total		5665	5820	5740	5960
PAYLOAD (kg.) @ G.V.W. 15 t.		9335	9180	9260	9295

\* Not available with long cab

DIMENSIONS (mm)		3240*	3690	3915	4150
A	Wheelbase	3240	3690	3915	4150
B	Overall length (over bumpers)	5990	6440	6665	7477
C	Front overhang	1387	1387	1387	1387
D	Rear overhang	1358	1358	1358	1935
E	Cab width (rear tyres)	2490	2490	2490	2490
E	Max width over wings (cab)	2550	2550	2550	2550
H	Front axle - body	MLC 385	385	385	385
		MLL N/A	965	965	965
	Recommended body length	MLC 4570	5075	5425	6060
		MLL N/A	4730	5080	5715
K	Cab height (unladen)	3005	3005	3005	3005
L	Frame height at rear frame end	1248	1243	1241	1252
	Frame thickness	6	6	6	6
	Turning circle (wall to wall)	13380	14920	15700	16520
M	Front track	1980	1980	1980	1980
N	Rear track	1849	1849	1849	1849
P	Ground clearance (front)	339	339	339	339
	Ground clearance (rear)	339	339	339	339

TYRES & WHEELS	Tyre code	Mission	Tyre dimensions	
			Front	Rear
Standard	20370	C	11 R 22,5	11 R 22,5 (twin)

Tyre mission code: B = regional; C = all use; D = mix/off road

# IVECO

## EURO CARGO

### ML 150E24W Euro III MY16

<b>ENGINE</b>	<b>IVECO TECTOR F4AEE681B</b>
Turbocharger	Wastegate
Cylinders in line	6
Bore (mm)	102
Stroke (mm)	120
Capacity (litres)	5,88
Max power (HP/kW)	240/176
@ rpm	2700
Max torque (Nm)	810
@ rpm	1250
Engine brake power	150 Kw à 3200 tr/mn
Governor	All speeds
Cooling fan	Electromagnetic
Fuel system	Common rail - Bosch
Speed limiter	90kmh

#### GEARBOXES

Ratios	MEC. 6 SPEED	MEC. 6 SP+PTO
	ZF 6S800	ZF 6S1005 TO
1st	6,58	6,75
2nd	3,60	3,60
3rd	2,12	2,12
4th	1,39	1,39
5th	1,00	1,00
6th	0,78	0,78
7th		
8th		
9th		
Rev	6,06	6,06

#### PERFORMANCE

(with standard tyres)

##### Type: ZF 6S 800

Axle ratios available	<b>6,95</b>	5,326	5,72	6,34	7,73
Geared speed (km/h)	48	63	59	53	44
Gradeability % @ 15 t G.V.W.	100	78	89	100	100

##### Type: ZF 6S 1005 TO + PTO

Axle ratios available	<b>6,95</b>	5,326	5,72	6,34	7,73
Geared speed (km/h)	48	63	59	53	44
Gradeability % @ 15 t G.V.W.	100	82	93	100	100

#### CLUTCH

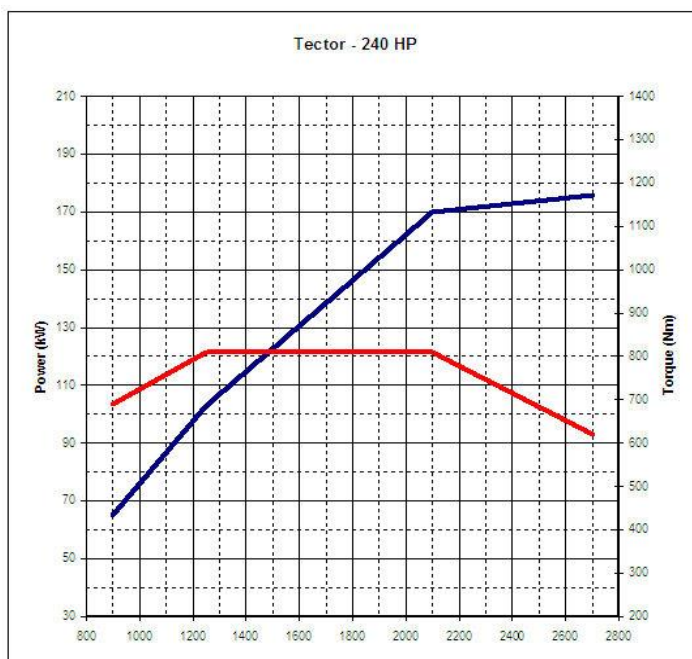
Type	Single plate, diaphragm spring, pull type.
Diameter (mm)	15,5" (395 mm)
	Asbestos free.

#### BRAKES

Type	2 independent pneumatic circuits
Service	A.B.S. + E.B.L.
Front axle	Drums: 381 mm diameter x 178 mm width
Rear axle	Drums: 381 mm diameter x 178 mm width
Parking	Mechanical with spring cylinder, rear.
Emergency	Combined with parking brake.
Air reservoirs	2 x 15 litres, steel
Engine brake	Standard exhaust brake
Air compressor	360 cc - single cylinder
Air dryer	Air Processing Unit

#### TRANSFER BOX

Type	TC 850 - gearbox independent.
Ratio	On road: 1/0,99 – Off Road: 1/1,94.
Torque distribution	Front 33% - Rear 67%



#### ELECTRICS

Tension	24v negative earth return
Alternator	28v, 90A
Starter	24v, 4 kW
Batteries	2 x 12v, 120Ah
Circuits protected	By fuse
System	Multiplex - CAN line data bus

#### SUSPENSIONS

Front	Parabolic
Rear	Parabolic
Anti roll bar	Front & rear
Shock absorbers	2 on front, 2 on rear

#### STEERING

Type	Power assisted
------	----------------

#### AXLES

Front	Iveco 5956. Rigid.
Rear	Iveco 451146/1. Hub reduction.
Differential lock	Cross axle and inter axle STD

#### FUEL TANK

Type and capacity	
Wb 3240-3915	115lt. Plastic with lockable fuel cap.
Wb 4150	180lt. Steel with lockable fuel cap.

#### CAB INTERIOR

##### MLC ( short cab )

Forward control cab. Fabric seats. Three way adjustable driver seat, dual fixed passenger seat. Overhead lockers with doors, windowless rear wall with document net. Glove box. Four speed fan. Speedometer KMH-MPH. All gauges monitored using international symbols. Fully adjustable steering column. Column mounted on control stalks. Radio provision. Service and map reading lights. Electric windows. Sunrise film. Driver door sunblind. Smoking kit. Roof hatch. Rear wall rail with hooks for clothes

##### MLL ( sleeper cab )

As per day cab plus: a lower bunk, storage box under bunk, reading light and bed module for controlling cab lights. Single passenger seat. Without rear wall rail with hooks for clothes

#### CAB EXTERIOR

##### MLC-MLL

Pressed steel construction with SMC for vulnerable parts. Suspension: helical springs and dampers. Hydraulic manual tilt to 60 degrees. Rear view mirrors according to CEE 88/321.

#### CHASSIS

Ladder construction. Pressed steel side members and riveted and bolted cross members (C section).

**Wheelbases (mm)**  
3240 - 4150

**Height (mm) x width (mm)**  
240 x 70