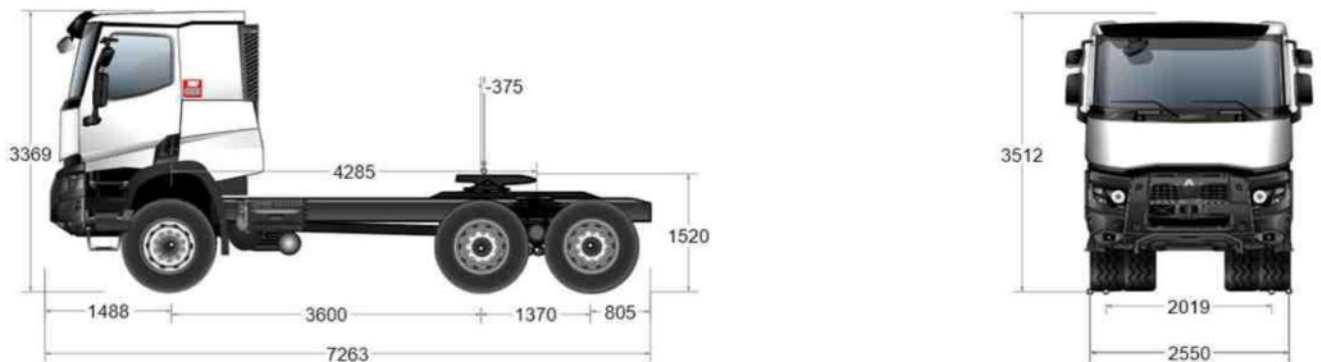


## K T6X4 HEAVY 13L E3 - GVW 34T / GCW 120 T

### RENAULT TRUCKS

#### K 460



### WEIGHTS

Wheelbase		mm	3.600
Maximum Weight (registered)	Total (GVW)	Kg	34000
Payload	(C)	Kg	24007
Kerb Weight	total	Kg	9993
Chassis cab kerb weight	Front axles (Liftable axle down)	Kg	5295
	Rear axles (Liftable axle down)	Kg	4698
Maximum Weight (registered)	Front axle 1	Kg	8000
	rear axle 1	Kg	16000
	rear axle 2	Kg	16000
Maximum Weight (technical)	total (CoC: 16.1.)	Kg	41000
	front axles (CoC: 16.3.)	Kg	9000
	rear axles (CoC: 16.3.)	Kg	32000

*This table includes the weights of the RENAULT TRUCKS options: full urea tank, oil, screen wash fluid and coolant at 100%, fuel fill level 90% and driver present (75 kg)*

*To maintain the driving comfort (lightness of steering, braking) of vehicles in all load and driving conditions once the vehicle is bodied, the following minimum axle load(s) must be respected: A value corresponding to 26% of the weight of the unladen bodied vehicle kerb weight (with driver, without passenger)*

### LENGTHS

Wheelbase		mm	3.600
Front Overhang	(H / BEP L016)	mm	1488
Wheelbase	(F / BEP L011)	mm	3600
Technical wheelbase	(F' / BEP L015)	mm	4285
Axle Spacing	Axle 2-3 (BEP L012.2)	mm	1370
Rear overhang	Chassis, overall (BEP L017)	mm	805



Overall Chassis Length	(A / BEP L001)	mm	7263
------------------------	----------------	----	------

**HEIGHTS**

Wheelbase		mm	3.600
Cab height (unladen)	(O)	mm	3369
Max. exterior height unladen	(BEP H001)	mm	3512
Side member height	(BEP H032)	mm	300
Ground clearance, laden	Front (U1 / BEP H015)	mm	435
	Rear (U3 / BEP H016)	mm	395
Frame top height at front axle	Unladen (H1 / BEP H035)	mm	1244
	Laden (H1 / BEP H036)	mm	1170
Frame top height at drive axle	Unladen (H2 / BEP H037)	mm	1235
	Laden (H2 / BEP H038)	mm	1183

**TOWING DEVICE**

Wheelbase		mm	3.600
Swept Swing Clearance	(BEP L078)	mm	
Fifth wheel height from ground	Unladen (BEP H076)	mm	1520
	Laden (BEP H078)	mm	1470
Fifth wheel position	Manufacturer's recommendation (Y / BEP L076)	mm	-375
	Min. (Ymin / BEP L077)	mm	-500
	Intermediate 1	mm	-275
	Intermediate 2	mm	-475
	Max. (Ymax / BEP L075)	mm	0

**WIDTHS**

Wheelbase		mm	3.600
Max. cab width	(BEP W002)	mm	2492
Frame width	Front (BEP W035)	mm	1080
	Rear (BEP W036)	mm	852
Width at rear wheels	Rear axle 1 (V3 / BEP W003.2)	mm	2550
	Rear axle 2 (V5 / BEP W003.3)	mm	2550
Track	Front (V1 / BEP W013.1)	mm	2019
	Rear 1 (V2 / BEP W013.2)	mm	1871
	Rear 2 (V4 / BEP W013.2)	mm	1871

**OTHER**

Wheelbase		mm	3.600
Side member thickness	(BEP W034)	mm	13
Turning Radius	kerb to kerb	mm	9561.5
	Overall (BEP W012)	mm	10150



## DXi13 ENGINE

*Maximum power: 331 kW from 1450 to 1800 rpm.*

*Maximum torque: 2200 Nm from 1050 to 1400 rpm.*

6-cylinder in-line diesel engine - High-pressure fuel-injection (2400 bar) by pump injectors - 24 valves - overhead camshaft, rear-mounted timing

Bore 131 mm - stroke 158 mm - Capacity 12.8L

Electronically controlled fan

Turbocharger

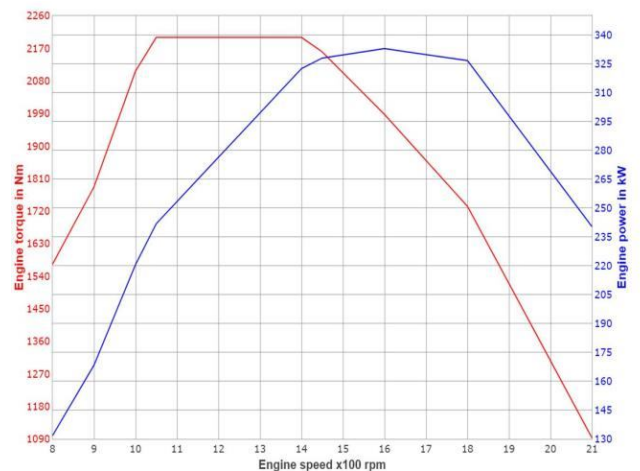
Direction of rotation (seen from G/B end): anti-clockwise

Oil service interval up to 100,000 km

Sheet metal oil sump

EEC EURO III exhaust emissions level

Cooling liquid



## ENGINE EQUIPMENT

Aluminium engine flywheel casing.

Fast idling control whilst moving (muddy site)

Power Mode (Eco/Eco Off)

Without engine Power Take Off.

Electronic speed limiter (90 km/h).

## CLUTCH

Single-plate clutch, diameter 430 mm

## GEARBOX

Optidriver AT 2612 gearbox (14.94 - 1) with automatic clutch. Aluminium housing.

Max. torque 2550 Nm, 12 forward gears and 3 reverse gears.

Steering wheel-mounted operating mode selection

(automatic/manual) via gear shift selector,

Reinforcement of the Optidriver gearbox for heavy duty use (XTREM)

*Heavy duty gearbox oil cooler, oil/water external heat exchanger*

## RETARDER

OPTIBRAKE+ :

Combination of the exhaust brake retarder and valve braking.

Full electronic management (power : 414kW at 2300 rpm), coupled to service brake.

## POWER TAKE-OFF

Power take-off S81

Output: splined hollow shaft (DIN 5462)

Direction of rotation: opposite to engine

Torque: 1000 Nm

Ratios: 0.71/0.90

Position: 18h

## STEERING

Power steering, variable-flow hydraulic pump

*Steering ratio 26.2:1 - Steering wheel diameter 460 mm*

Driving on the right

## FRONT AXLE

Front suspension and hub joints with grease nipples

*Front load capacity (technical max.): 9 t*

## WHEELS AND TYRES

*Dimension 325/95 R24*

Steel disc wheels

*Spare wheel and tyre supplied loose.*



## REAR AXLES

### *PMR 3361 drive axle with double reduction*

Integral differential lock  
Rear loading capacity (technical max.): 32 t  
Rear load equally distributed  
Drive axle ratio: 3.76  
Engine speed at 90 km/h: 1506 rpm

### **Service brake:**

Twin-cylinder air compressor 900 l/min, 636 cm<sup>3</sup>  
Braking system with two independent circuits  
Drum brakes  
Dust protection on rear brake  
Electronic management of air production by EACU (Electronic Air Control Unit):  
Dryer cartridge optimised by preventive maintenance.  
EACU positioned within the track  
Silencer on pneumatic circuit  
Two line trailer braking system (ISO connections).  
*Electrical lead with one 15-pin connector to two 7-pin connectors (24N, 24S)*  
Downward-facing semi-trailer connection  
Dummy sockets for electrical cables on DFR  
*Adaptation: "Forced parking brake if driver's door is open at a speed below 3 km/h"*  
Trailer brake device at cab rear  
High-position rear brake cylinders

### **EBS:**

*Hill Start Aid*  
*Wheel anti spin regulation (ASR)*  
*Brake pad wear balancing (discs)*  
*Wheel antilock braking system (ABS)*  
*Emergency braking assist (AFU)*  
*Harmonisation of tractor and trailer braking*  
*Brake performance warning*  
*Coupling of retarders and service brakes*

### **Parking brake:**

EPB (Electronic Parking Brake) automatic parking brake, immobilization provided by spring cylinders  
Reinforced parking brake

### **Brake adjustment:**

Automatic brake lining slack compensation.

### **Emergency brake:**

Ensured by independence of main device circuits

## CAB

### **Cab exterior:**

Night & Day cab  
All steel Cab, electro-zinc plated and cathophoretic paint treatment.  
Cab paint colour: White ekla  
technical code: 09350  
Red badge  
Four point mechanical cab suspension.  
Two side doors of which one is accessible from inside the cab  
*2 heated, remote control rear view mirrors.*  
*2 wide angle rearview mirrors.*  
*Kerb view mirror.*  
Rear view mirrors for bodywork up to 2.55 m wide  
*Fold-back front view mirror*  
Air horn  
*Laminated side windows.*  
Front wing mudflaps  
Exterior parts finished in black  
*External sun visor*  
Tinted, laminated windscreen.  
Without rear window.



**Cab interior:**

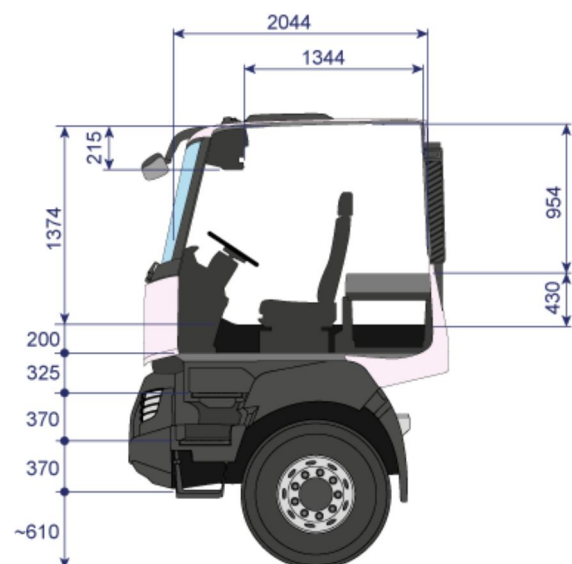
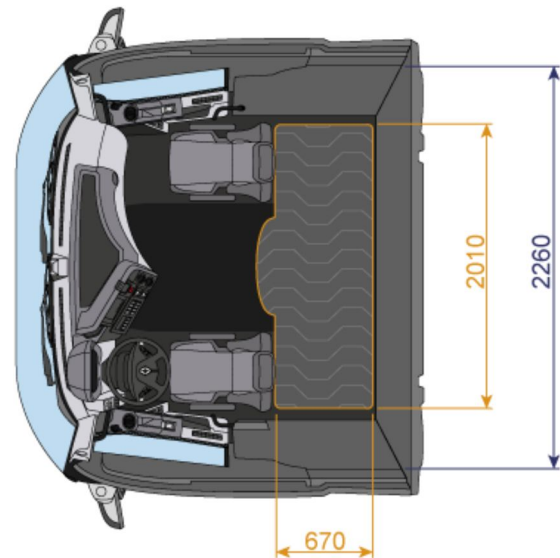
Cab interior finish - Dark  
 Quality roof console, 1 storage compartment with key lock, 1 storage space with net and 4 ISO modules  
 Central storage under bunk  
*Electric interior sun blind on windscreen and manual blind on driver's side window*  
 No reversing camera  
 Without tachograph  
 Without tachograph calibration  
 Manual roof vent  
 Mosquito net on air vent  
*Rubber insulating floor mats*  
 Adjustable vertical damping  
 Adjustable seat back  
 Length and height-adjustable  
 Seat quick-drop function with height setting storage  
 Removable seat cover  
 Integral headrest  
 Two driver's armrests  
 Red seat belts  
 Seat belt fastened reminder  
 seat squab tilt  
 Length-adjustable  
 Integral headrest  
 Without air suspension  
 Cloth fabric trim  
 Sérénité lower bunk: 2018mm long, 670mm wide (790mm between seats), mattress thickness: 170mm  
 Blower  
 Central storage under bunk  
 Reading lamps on overhead ledge  
 Direct cab lighting  
 Cab lighting time-delay.  
 Curtains around cab.  
 Bunk area lighting  
 Bunk area remote control  
 2 storage boxes under bunk, one accessible from interior and exterior  
 Two coat hooks on rear panel and one on passenger side  
 Electrically operated door windows  
*Electronic air conditioning.*  
 Cab air filtration, washable filter  
 Handbook and Service pack in French.  
 2 loudspeakers.

**Steering wheel equipment:**

"Performance" 4-spoke steering wheel adjustable for height and depth, with control for cruise control  
 OPTIDRIVER control  
 OPTIBRAKE and retarder control on right-hand side  
 3-way adjustable steering column  
*Mono CD player, MP3/WMA format-compatible*  
*Double tuner for immediate radio station list update*  
*Steering column-mounted radio controls*  
*Jack (3.5 mm) and USB inputs for MP3 player*  
*Hands-free interface for mobile telephone (Bluetooth technology), Audio streaming, steering wheel controls, microphone in the roof console, audio playback through vehicle speakers*  
*Information on the main information display*

**Instrument panel:**

COMPACT dashboard  
 7" HD colour information display  
*12 V + 24 V socket on dashboard, for accessories.*  
 Starting inhibitor controlled by transponder key.  
 Start button  
 Customer speed +5 km/h downhill  
 Cruise control and speed limiter configurable by rotary control  
 Power Mode (Eco/Eco Off)  
 Without Eco Mode



## ELECTRONIC EQUIPMENT:

---

English and French language display  
Additional language (Spanish)  
SAE cab socket for vehicle data extraction  
4G TGW3 telematics unit (telematic gateway) including an antenna and enabling subscription to Optifleet services (Map, Check, Drive)  
TELENOR SIM card

## ELECTRICAL EQUIPMENT

---

Battery capacity: 185 Ah  
Batteries with level check  
Battery cut-out remote control  
Electrical circuit automatically goes to standby  
Alternator : 150 amp capacity.  
No protection on rear lights  
Rear signalling lighting.

## CHASSIS

---

Chassis protective paintwork, mineral grey colour  
technical code: 03650  
*Chassis reinforcement from rear of engine to rear of drive axle*  
Reinforced removable front towing cap  
Transmission crossmember Medium  
Closing cross member with pre-drilling for towing yoke  
Reinforced fifth wheel mounting H=96 mm  
Jost 38C, 3.5" cast iron fifth wheel, D 260 kN  
Fifth wheel position: Y = -375 mm  
Rear manwalk.  
Compact air filtration with pre-filter construction suitable for dusty environments such as construction sites  
Raised wing position (+30mm) recommended for poor and very poor road surfaces  
*Lateral exhaust on left side.*  
*Reinforced exhaust silencer mounting*

## BUMPER - STEPS AND LIGHTING

---

Steel bumpers  
Retractable windscreen access steps in radiator grille and under bumper  
Access to driving position by 4 steps. 1st step flexible and of composite material.  
Step lighting  
*Reinforced cab access steps*  
BUMPER CORNERS AND CENTER PAINTED IN BLACK  
Lighting to EEC standards.  
Provision for lighting rail on front end  
White LED work light (850 lm)  
*2 rotating orange LED lights*

## SUSPENSION

---

### Front suspension

3-leaf reinforced front leaf springs  
Stabiliser bar

### Rear suspension:

*Rear 4-leaf reinforced parabolic suspension*  
Rear shock absorbers

## FUEL TANK

---

Main steel tank.  
Main fuel tank: 380 litres capacity D560 profile mounted on right  
Heavy duty fuel prefilter (R120), reinforced on chassis.

## AdBlue

---

without AdBlue tank

## STANDARD EQUIPMENT

---

Tool kit.  
*Jack 20t*  
*Reversing warning buzzer, including night switch.*  
Windscreen washer bottle capacity: 8.8L

## BODYWORK

---

*Bodybuilder access through bulkhead*  
*Orange LED side marker lights with reflector*  
Interface for bodybuilder connections and BBM module (Body Builder Module) - High  
*Bodybuilder electrical interface on chassis*

## SPECIAL OPTIONS

---

WET KIT FOR TIPPER TRAILER

## SERVICE

---

### Optifleet:

Optifleet Check: technical data reports for fuel consumption monitoring by vehicle and by driver, 1-year prepaid subscription  
Optifleet Map: vehicle geolocation, geofencing and route analysis, 1-year prepaid subscription

## GEARBOX RATIOS

