

K P6X6 HEAVY 13L E3 - GVW 34T / GCW 37.5 T

RENAULT TRUCKS



WEIGHTS

Wheelbase		mm	4.600
Maximum Weight (registered)	Total (GVW)	Kg	34000
Payload	(C)	Kg	23898
Kerb Weight	total	Kg	10102
Chassis cab kerb weight	Front axles (Liftable axle down)	Kg	5539
	Rear axles (Liftable axle down)	Kg	4563
Maximum Weight (registered)	Front axle 1	Kg	8000
	rear axle 1	Kg	13400
	rear axle 2	Kg	13400
	Rear axle(s)	Kg	26800
Maximum Weight (technical)	total (CoC: 16.1.)	Kg	34800
	front axles (CoC: 16.3.)	Kg	8000
	rear axles (CoC: 16.3.)	Kg	26800

This table includes the weights of the RENAULT TRUCKS options: full urea tank, oil, screen wash fluid and coolant at 100%, fuel fill level 90% and driver present (75 kg)

To maintain the driving comfort (lightness of steering, braking) of vehicles in all load and driving conditions once the vehicle is bodied, the following minimum axle load(s) must be respected: A value corresponding to 26% of the weight of the unladen bodied vehicle kerb weight (with driver, without passenger)

LENGTHS

Wheelbase		mm	4.600
Body length	Min. (Wmin / BEP L105)	mm	7972
	Max. (Wmax / BEP L105)	mm	7975
Front Overhang	(H / BEP L016)	mm	1488
Cab entry	(B / BEP L102)	mm	755
Wheelbase	(F / BEP L011)	mm	4600
Technical wheelbase	(F' / BEP L015)	mm	5285
Axle Spacing	Axle 2-3 (BEP L012.2)	mm	1370
Rear overhang	Chassis, overall (BEP L017)	mm	1650
Overall Chassis Length	(A / BEP L001)	mm	9033
Centre of Gravity of load	Min. (Ymin / BEP L104)	mm	543
	Max. (Ymax / BEP L103)	mm	544
Min Overall Length (Z)	(Zmin / BEP L001)	mm	10215
Max Overall Length (Z)	(Zmax / BEP L001)	mm	10218
Bodywork rear overhang	Min. (Xmin / BEP L017)	mm	3442
	Max. (Xmax / BEP L017)	mm	3445

HEIGHTS

Wheelbase		mm	4.600
Cab height (unladen)	(O)	mm	3395
Max. exterior height unladen	(BEP H001)	mm	3538
Side member height	(BEP H032)	mm	300
Ground clearance, laden	Front (U1 / BEP H015)	mm	353
	Rear (U3 / BEP H016)	mm	338
Frame top height at front axle	Unladen (H1 / BEP H035)	mm	1270
	Laden (H1 / BEP H036)	mm	1208
Frame top height at drive axle	Unladen (H2 / BEP H037)	mm	1253
	Laden (H2 / BEP H038)	mm	1186
Frame top height at the rear of the frame	Unladen (HN)	mm	1242
	Laden (HN)	mm	1172

WIDTHS

Wheelbase		mm	4.600
Max. cab width	(BEP W002)	mm	2492
Frame width	Front (BEP W035)	mm	1080
	Rear (BEP W036)	mm	852
Width at rear wheels	Rear axle 1 (V3 / BEP W003.2)	mm	2544
	Rear axle 2 (V5 / BEP W003.3)	mm	2544
Track	Front (V1 / BEP W013.1)	mm	2047
	Rear 1 (V2 / BEP W013.2)	mm	1874
	Rear 2 (V4 / BEP W013.2)	mm	1874

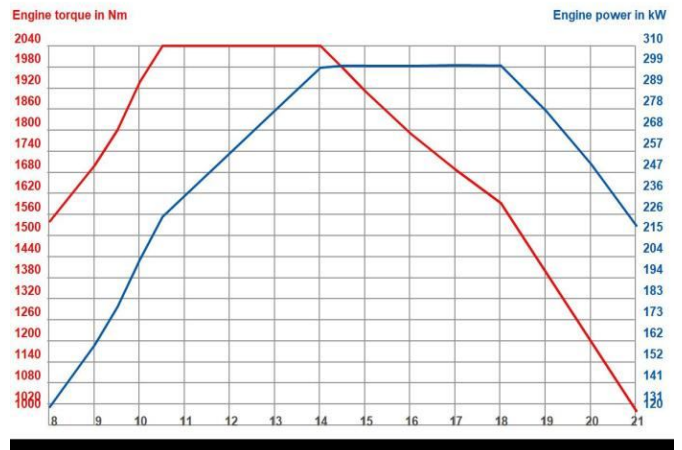
OTHER

Wheelbase		mm	4.600
Side member thickness	(BEP W034)	mm	13
Turning Radius	kerb to kerb	mm	9710
	Overall (BEP W012)	mm	10350

DXi13 ENGINE

420 hp - 13L - E3

6-cylinder in-line diesel engine - High-pressure fuel-injection (2400 bar) by pump injectors - 24 valves - overhead camshaft, rear-mounted timing
 Bore 131 mm - stroke 158 mm - Capacity 12.8L
 Electronically controlled fan
 Turbocharger
 Direction of rotation (seen from G/B end): anti-clockwise
 Oil service interval up to 100,000 km
 Sheet metal oil sump
 EEC EURO III exhaust emissions level
 Cooling liquid



ENGINE EQUIPMENT

Aluminium engine flywheel casing.
 Fast idling control whilst moving (muddy site)
 Without engine Power Take Off.
 Electronic speed limiter (90 km/h).

CLUTCH

Single-plate clutch, diameter 430 mm

GEARBOX

Optidriver AT 2612 gearbox (14.94 - 1) with automatic clutch.
 Aluminium housing.
 Max. torque 2550 Nm, 12 forward gears and 3 reverse gears.
 Steering wheel-mounted operating mode selection (automatic/manual) via gear shift selector,
 Reinforcement of the Optidriver gearbox for heavy duty use (XTREM)
 Heavy duty gearbox oil cooler, oil/water external heat exchanger

TRANSFER BOX

Single-stage transfer box BT C 2501
 Without differential lock

RETARDER

OPTIBRAKE+ :
 Combination of the exhaust brake retarder and valve braking.
 Full electronic management (power : 414kW at 2300 rpm), coupled to service brake.

POWER TAKE-OFF

Power take-off S81
 Output: splined hollow shaft (DIN 5462)
 Direction of rotation: opposite to engine
 Torque: 1000 Nm
 Ratios: 0.90/1.14
 Position: 18h

STEERING

Power steering, variable-flow hydraulic pump
 Steering ratio 26.2:1 - Steering wheel diameter 460 mm
 Driving on the right

FRT. DR. AXLE

FRONT AXLE

Front suspension and hub joints with grease nipples
 Front drive axle PA 903
 Front load capacity (technical max.): 8 t

WHEELS AND TYRES

Dimension 13 R22.5
 Profile B. M840 EVO / L355 EVO
 Steel disc wheels
 Without spare wheel.

REAR AXLES

Integral differential lock
Rear loading capacity (technical max.): 32 t
Rear load equally distributed
Drive axle ratio: 3.76
Engine speed at 90 km/h: 1645 rpm

Service brake:

Twin-cylinder air compressor 900 l/min, 636 cm³
Braking system with two independent circuits
Drum brakes
Dust protection on rear brake
Electronic management of air production by EACU (Electronic Air Control Unit):
Dryer cartridge optimised by preventive maintenance.
Steel protective cover on EACU
Silencer on pneumatic circuit
Without rear trailer coupling.
Adaptation: "Forced parking brake if driver's door is open at a speed below 3 km/h"
High-position rear brake cylinders

EBS:

Anti-lock braking system (ABS)
Retarder and service brake linking
Differential engagement management (if equipped) at speeds <10 km/h (4x2)
Hill Start Aid
Braking performance warning
Emergency brake assist (EBA)
Emergency brake lights (EBL)

Parking brake:

EPB (Electronic Parking Brake) automatic parking brake, immobilization provided by spring cylinders
Reinforced parking brake

Brake adjustment:

Automatic brake lining slack compensation.

Emergency brake:

Ensured by independence of main device circuits

CAB

Cab exterior:

Day cab
All steel Cab, electro-zinc plated and cathophoretic paint treatment.
Cab paint colour: White ekla
technical code: 09350
Red badge
Four point mechanical cab suspension.
2 heated, remote control rear view mirrors.
2 wide angle rearview mirrors.
Kerb view mirror.
Rear view mirrors for bodywork up to 2.55 m wide
Air horn
Front wing mudflaps
Exterior parts finished in black
External sun visor
Tinted, laminated windscreen.
Tinted rear cab window

Cab interior:

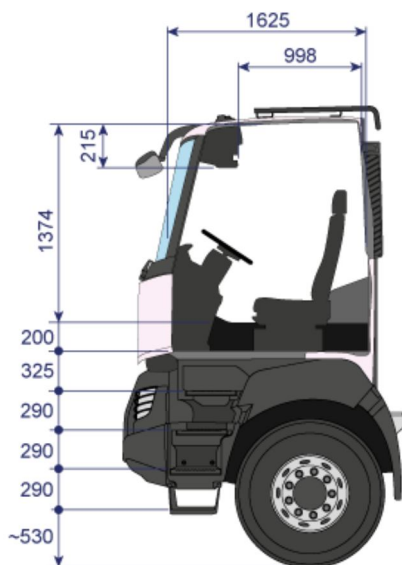
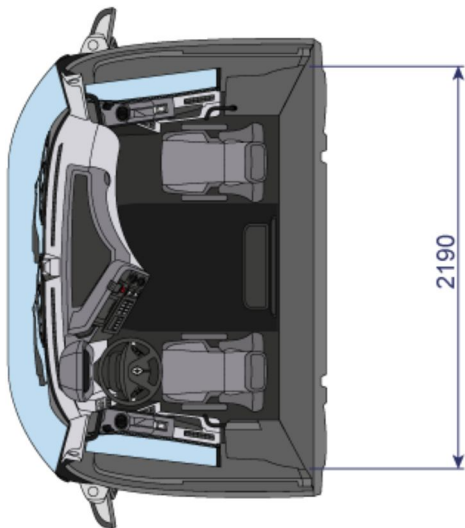
Cab interior finish - Dark
Quality roof console, 1 storage compartment with key lock, 1 storage space with net and 4 ISO modules
Interior sun blind on windscreen and driver's side window
Without tachograph
Manual roof vent
Mosquito net on air vent
Adjustable vertical damping
Adjustable seat back
Length and height-adjustable
Seat quick-drop function with height setting storage
Removable seat cover
Integral headrest
Two driver's armrests
Red seat belts
Seat belt fastened reminder
seat squab tilt
Length-adjustable
Integral headrest
Without air suspension
Cloth fabric trim
Blower
Removable rear storage compartment, left-hand side
Reading lamps on overhead ledge
Direct cab lighting
Cab lighting time-delay.
2 Coat hooks on rear panel
Electrically operated door windows
Electronic air conditioning.
Cab air filtration, washable filter
Handbook and Service pack in French.
2 loudspeakers.

Steering wheel equipment:

"Performance" 4-spoke steering wheel adjustable for height and depth, with control for cruise control
OPTIBRAKE and retarder control on right-hand side
3-way adjustable steering column

Instrument panel:

COMPACT dashboard
 7" HD colour information display
 12V socket on dashboard, for accessories.
 Starting inhibitor controlled by transponder key.
 Start button
 Customer speed +5 km/h downhill
 Cruise control and speed limiter configurable by rotary control
 Power Mode (Eco/Eco Off)
 Without Eco Mode



ELECTRONIC EQUIPMENT:

English and French language display
 Additional language (Spanish)
 SAE cab socket for vehicle data extraction
[FMS Gateway fleet management interface 3.0](#)
 4G TGW3 telematics unit (telematic gateway) including an antenna and enabling subscription to Optifleet services (Map, Check, Drive)

ELECTRICAL EQUIPMENT

Battery capacity: 185 Ah
 Batteries with level check
 Battery cut-out remote control
 Electrical circuit automatically goes to standby
 Alternator : 150 amp capacity.
 Rear signalling lighting.

CHASSIS

Chassis protective paintwork, mineral grey colour
 technical code: 03650
 Chassis reinforcement from gearbox crossmember to rear of chassis
 Standard rear overhang, pre-drilled for bodybuilder
 Reinforced removable front towing cap
 Without rear under-run bar .
 Transmission crossmember Medium
 Closing cross member with pre-drilling for towing yoke
 Twin cartridge air filtration for dusty environments, with cyclonic primary filtration
 Side exhaust.
[Reinforced exhaust silencer mounting](#)

BUMPER - STEPS AND LIGHTING

Steel bumpers
 Retractable windscreen access steps in radiator grille and under bumper
 Access to driving position by 4 steps. 1st step flexible and of composite material.
 Step lighting
[Reinforced cab access steps](#)
BUMPER CORNERS AND CENTER PAINTED IN BLACK
 Lighting adjustment
 Lighting to EEC standards.
 Provision for lighting rail on front end
[2 rotating orange LED lights](#)

SUSPENSION

Front suspension

3-leaf reinforced front leaf springs
 Stabiliser bar

Rear suspension:

11-leaf elliptic suspension
 Stabiliser bar

FUEL TANK

Main steel tank.
Main fuel tank: 315 litres capacity D560 profile mounted on right
Heavy duty fuel prefilter (R120), reinforced on chassis.

AdBlue

without AdBlue tank

STANDARD EQUIPMENT

Tool kit.
Reversing warning buzzer, including night switch.
Windscreen washer bottle capacity: 8.8L

BODYWORK

Flexible bodywork attachment with springs
Body mounting brackets (front only)
Interface for bodybuilder connections and BBM module (Body Builder Module)

SERVICE

Optifleet:

Optifleet Check: technical data reports for fuel consumption monitoring by vehicle and by driver, 1-year prepaid subscription
Optifleet Map: vehicle geolocation, geofencing and route analysis, 1-year prepaid subscription

GEARBOX RATIOS

1	2	3	4	5	6	7	8	9	10	11	12
14.94	11.73	9.04	7.09	5.54	4.35	3.44	2.70	2.08	1.63	1.27	1.00

*The manufacturer reserves the right to modify the specifications above without prior notice.
Non contractual document.*

For further assistance please contact Product Applications at Renault Trucks UK Limited, Wedgnoek Lane , Warwick , CV34 5YA Telephone+44 (0)1926 475333.