

## K P6X4 HEAVY 13L E3 - GVW 34T / GCW 37.5 T

### RENAULT TRUCKS



### WEIGHTS

Wheelbase		mm	4.600
Maximum Weight (registered)	Total (GVW)	Kg	34000
Payload	(C)	Kg	24337
Kerb Weight	total	Kg	9663
Chassis cab kerb weight	Front axles (Liftable axle down)	Kg	5173
	Rear axles (Liftable axle down)	Kg	4490
Maximum Weight (registered)	Front axle 1	Kg	8000
	rear axle 1	Kg	13400
	rear axle 2	Kg	13400
	Rear axle(s)	Kg	26800
Maximum Weight (technical)	total (CoC: 16.1.)	Kg	34800
	front axles (CoC: 16.3.)	Kg	8000
	rear axles (CoC: 16.3.)	Kg	26800

*This table includes the weights of the RENAULT TRUCKS options: full urea tank, oil, screen wash fluid and coolant at 100%, fuel fill level 90% and driver present (75 kg)*

*To maintain the driving comfort (lightness of steering, braking) of vehicles in all load and driving conditions once the vehicle is bodied, the following minimum axle load(s) must be respected: A value corresponding to 26% of the weight of the unladen bodied vehicle kerb weight (with driver, without passenger)*

## LENGTHS

Wheelbase		mm	4.600
Body length	Min. (Wmin / BEP L105)	mm	7832
	Max. (Wmax / BEP L105)	mm	7975
Front Overhang	(H / BEP L016)	mm	1488
Cab entry	(B / BEP L102)	mm	755
Wheelbase	(F / BEP L011)	mm	4600
Technical wheelbase	(F' / BEP L015)	mm	5285
Axle Spacing	Axle 2-3 (BEP L012.2)	mm	1370
Rear overhang	Chassis, overall (BEP L017)	mm	1650
Overall Chassis Length	(A / BEP L001)	mm	9033
Centre of Gravity of load	Min. (Ymin / BEP L104)	mm	543
	Max. (Ymax / BEP L103)	mm	614
Min Overall Length (Z)	(Zmin / BEP L001)	mm	10075
Max Overall Length (Z)	(Zmax / BEP L001)	mm	10218
Bodywork rear overhang	Min. (Xmin / BEP L017)	mm	3302
	Max. (Xmax / BEP L017)	mm	3445

## HEIGHTS

Wheelbase		mm	4.600
Cab height (unladen)	(O)	mm	3314
Max. exterior height unladen	(BEP H001)	mm	3457
Side member height	(BEP H032)	mm	300
Ground clearance, laden	Front (U1 / BEP H015)	mm	383
	Rear (U3 / BEP H016)	mm	338
Frame top height at front axle	Unladen (H1 / BEP H035)	mm	1189
	Laden (H1 / BEP H036)	mm	1118
Frame top height at drive axle	Unladen (H2 / BEP H037)	mm	1193
	Laden (H2 / BEP H038)	mm	1126
Frame top height at the rear of the frame	Unladen (HN)	mm	1196
	Laden (HN)	mm	1131

## WIDTHS

Wheelbase		mm	4.600
Max. cab width	(BEP W002)	mm	2492
Frame width	Front (BEP W035)	mm	1080
	Rear (BEP W036)	mm	852
Width at rear wheels	Rear axle 1 (V3 / BEP W003.2)	mm	2544
	Rear axle 2 (V5 / BEP W003.3)	mm	2544
Track	Front (V1 / BEP W013.1)	mm	2028
	Rear 1 (V2 / BEP W013.2)	mm	1874
	Rear 2 (V4 / BEP W013.2)	mm	1874

## OTHER

Wheelbase		mm	4.600
Side member thickness	(BEP W034)	mm	13
Turning Radius	kerb to kerb	mm	9710
	Overall (BEP W012)	mm	10400

## DXi13 ENGINE

### 420 hp - 13L - E3

6-cylinder in-line diesel engine - High-pressure fuel-injection (2400 bar) by pump injectors - 24 valves - overhead camshaft, rear-mounted timing  
 Bore 131 mm - stroke 158 mm - Capacity 12.8L  
 Electronically controlled fan  
 Turbocharger  
 Direction of rotation (seen from G/B end): anti-clockwise  
 Oil service interval up to 100,000 km  
 Sheet metal oil sump  
 EEC EURO III exhaust emissions level  
 Cooling liquid

## ENGINE EQUIPMENT

Aluminium engine flywheel casing.  
 Fast idling control whilst moving (muddy site)  
 Without engine Power Take Off.  
 Electronic speed limiter (90 km/h).

## CLUTCH

Single-plate clutch, diameter 430 mm

## GEARBOX

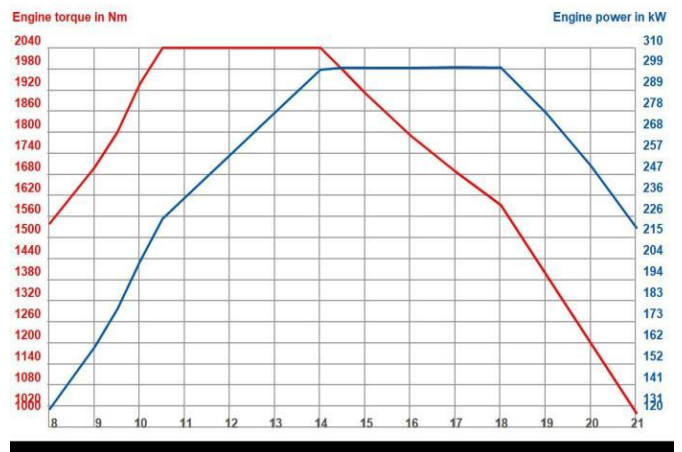
Optidriver AT 2612 gearbox (14.94 - 1) with automatic clutch.  
 Aluminium housing.  
 Max. torque 2550 Nm, 12 forward gears and 3 reverse gears.  
 Steering wheel-mounted operating mode selection (automatic/manual) via gear shift selector,  
 Reinforcement of the Optidriver gearbox for heavy duty use (XTREM)  
*Heavy duty gearbox oil cooler, oil/water external heat exchanger*

## RETARDER

OPTIBRAKE+ :  
 Combination of the exhaust brake retarder and valve braking.  
 Full electronic management (power : 414kW at 2300 rpm), coupled to service brake.

## POWER TAKE-OFF

Power take-off S81  
 Output: splined hollow shaft (DIN 5462)  
 Direction of rotation: opposite to engine  
 Torque: 1000 Nm  
 Ratios: 0.90/1.14  
 Position: 18h



## STEERING

Power steering, variable-flow hydraulic pump  
 Steering ratio 20:1 - Steering wheel diameter 460 mm  
 Driving on the right

## FRONT AXLE

Front suspension and hub joints with grease nipples  
 Front load capacity (technical max.): 8 t

## WHEELS AND TYRES

Dimension 13 R22.5  
*Profile G. OMNITRAC-HD S/D*  
 Steel disc wheels  
 Without spare wheel.

## REAR AXLES

Integral differential lock  
 Rear loading capacity (technical max.): 32 t  
 Rear load equally distributed  
 Drive axle ratio: 3.76  
 Engine speed at 90 km/h: 1645 rpm

## Service brake:

Twin-cylinder air compressor 900 l/min, 636 cm<sup>3</sup>  
 Braking system with two independent circuits  
 Drum brakes  
 Dust protection on rear brake  
 Electronic management of air production by EACU (Electronic Air Control Unit):  
 Dryer cartridge optimised by preventive maintenance.  
*Steel protective cover on EACU*  
 Silencer on pneumatic circuit  
 Without rear trailer coupling.  
*Adaptation: "Forced parking brake if driver's door is open at a speed below 3 km/h"*  
 High-position rear brake cylinders

### **EBS:**

Anti-lock braking system (ABS)  
Drag torque control (Torque control during downshifting).  
Brake harmonisation of tractor and trailer.  
Retarder and service brake linking  
Differential engagement management (if equipped) at speeds <10 km/h (4x2)  
Braking performance warning  
Emergency brake assist (EBA)

### **Parking brake:**

EPB (Electronic Parking Brake) automatic parking brake, immobilization provided by spring cylinders  
Reinforced parking brake

### **Brake adjustment:**

Automatic brake lining slack compensation.

### **Emergency brake:**

Ensured by independence of main device circuits

## **CAB**

---

### **Cab exterior:**

Day cab  
All steel Cab, electro-zinc plated and cathophoretic paint treatment.  
Cab paint colour: White ekla  
technical code: 09350  
Red badge  
Four point mechanical cab suspension.  
*2 heated, remote control rear view mirrors.*  
*2 wide angle rearview mirrors.*  
*Kerb view mirror.*  
Rear view mirrors for bodywork up to 2.55 m wide  
Air horn  
Front wing mudflaps  
Exterior parts finished in black  
*External sun visor*  
Tinted, laminated windscreen.  
Tinted rear cab window

### **Cab interior:**

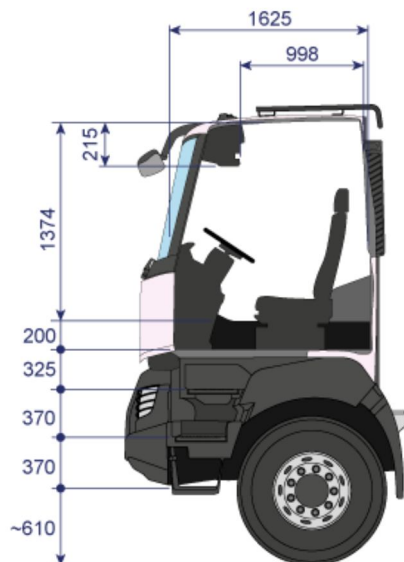
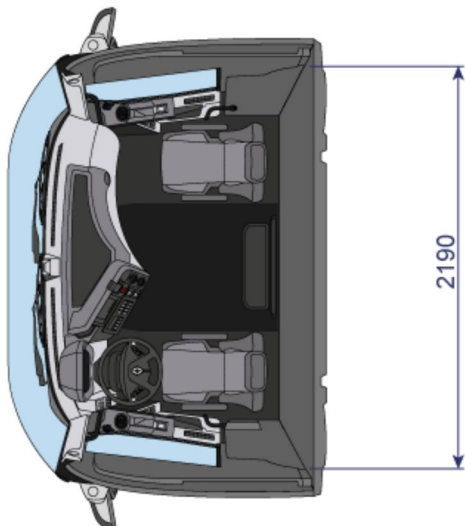
Cab interior finish - Dark  
Quality roof console, 1 storage compartment with key lock, 1 storage space with net and 4 ISO modules  
Interior sun blind on windscreen and driver's side window  
Without tachograph  
Manual roof vent  
Mosquito net on air vent  
Adjustable vertical damping  
Adjustable seat back  
Length and height-adjustable  
Seat quick-drop function with height setting storage  
Removable seat cover  
Integral headrest  
Two driver's armrests  
Red seat belts  
Seat belt fastened reminder  
seat squab tilt  
Length-adjustable  
Integral headrest  
Without air suspension  
Cloth fabric trim  
Blower  
Removable rear storage compartment, left-hand side  
Reading lamps on overhead ledge  
Direct cab lighting  
Cab lighting time-delay.  
2 Coat hooks on rear panel  
Electrically operated door windows  
*Electronic air conditioning.*  
Cab air filtration, washable filter  
Handbook and Service pack in French.  
2 loudspeakers.

### **Steering wheel equipment:**

"Performance" 4-spoke steering wheel adjustable for height and depth, with control for cruise control  
OPTIBRAKE and retarder control on right-hand side  
3-way adjustable steering column

### Instrument panel:

COMPACT dashboard  
 7" HD colour information display  
 12V socket on dashboard, for accessories.  
 Starting inhibitor controlled by transponder key.  
 Start button  
 Customer speed +5 km/h downhill  
 Cruise control and speed limiter configurable by rotary control  
 Power Mode (Eco/Eco Off)  
 Without Eco Mode



### ELECTRONIC EQUIPMENT:

English and French language display  
 Additional language (Spanish)  
 SAE cab socket for vehicle data extraction  
[FMS Gateway fleet management interface 3.0](#)  
 4G TGW3 telematics unit (telematic gateway) including an antenna and enabling subscription to Optifleet services (Map, Check, Drive)

### ELECTRICAL EQUIPMENT

Battery capacity: 185 Ah  
 Batteries with level check  
 Battery cut-out remote control  
 Electrical circuit automatically goes to standby  
 Alternator : 150 amp capacity.  
 Rear signalling lighting.

### CHASSIS

Chassis protective paintwork, mineral grey colour  
 technical code: 03650  
 Chassis reinforcement from gearbox crossmember to rear of chassis  
 Standard rear overhang, pre-drilled for bodybuilder  
 Reinforced removable front towing cap  
 Without rear under-run bar .  
 Transmission crossmember Medium  
 Closing cross member with pre-drilling for towing yoke  
 Twin cartridge air filtration for dusty environments, with cyclonic primary filtration  
 Side exhaust.  
[Reinforced exhaust silencer mounting](#)

### BUMPER - STEPS AND LIGHTING

Steel bumpers  
 Retractable windscreen access steps in radiator grille and under bumper  
 Access to driving position by 4 steps. 1st step flexible and of composite material.  
 Step lighting  
[Reinforced cab access steps](#)  
**BUMPER CORNERS AND CENTER PAINTED IN BLACK**  
 Lighting adjustment  
 Lighting to EEC standards.  
 Provision for lighting rail on front end  
[2 rotating orange LED lights](#)

### SUSPENSION

#### Front suspension

3-leaf reinforced front leaf springs  
 Stabiliser bar

#### Rear suspension:

11-leaf elliptic suspension  
 Stabiliser bar

## FUEL TANK

Main steel tank.  
Main fuel tank: 315 litres capacity D560 profile mounted on right  
Heavy duty fuel prefilter (R120), reinforced on chassis.

## AdBlue

without AdBlue tank

## STANDARD EQUIPMENT

Tool kit.  
*Reversing warning buzzer, including night switch.*  
Windscreen washer bottle capacity: 8.8L

## BODYWORK

Flexible bodywork attachment with springs  
Body mounting brackets (front only)  
Interface for bodybuilder connections and BBM module (Body Builder Module)

## SERVICE

### Optifleet:

Optifleet Check: technical data reports for fuel consumption monitoring by vehicle and by driver, 1-year prepaid subscription  
Optifleet Map: vehicle geolocation, geofencing and route analysis, 1-year prepaid subscription

## GEARBOX RATIOS

1	2	3	4	5	6	7	8	9	10	11	12
14.94	11.73	9.04	7.09	5.54	4.35	3.44	2.70	2.08	1.63	1.27	1.00

*The manufacturer reserves the right to modify the specifications above without prior notice.  
Non contractual document.*

*For further assistance please contact Product Applications at Renault Trucks UK Limited, Wedgnoock Lane , Warwick , CV34 5YA Telephone+44 (0)1926 475333.*