

## K P4X4 HEAVY 13L E3 - GVW 21T / GCW 24.5 T (K 4x4)

### RENAULT TRUCKS



### WEIGHTS

Wheelbase		mm	4.000
Maximum Weight (registered)	Total (GVW)	Kg	21000
Payload	(C)	Kg	12892
Kerb Weight	total	Kg	8108
Chassis cab kerb weight	Front axles (Liftable axle down)	Kg	5594
	Rear axles (Liftable axle down)	Kg	2514
Maximum Weight (registered)	Front axle 1	Kg	8000
	rear axle 1	Kg	13000
Maximum Weight (technical)	total (CoC: 16.1.)	Kg	21000
	front axles (CoC: 16.3.)	Kg	8000
	rear axles (CoC: 16.3.)	Kg	13000

*This table includes the weights of the RENAULT TRUCKS options: full urea tank, oil, screen wash fluid and coolant at 100%, fuel fill level 90% and driver present (75 kg)*

*To maintain the driving comfort (lightness of steering, braking) of vehicles in all load and driving conditions once the vehicle is bodied, the following minimum axle load(s) must be respected: A value corresponding to 29% of the weight of the unladen bodied vehicle kerb weight (with driver, without passenger)*

## LENGTHS

Wheelbase		mm	4.000
Body length	Min. (Wmin / BEP L105)	mm	5277
	Max. (Wmax / BEP L105)	mm	5785
Front Overhang	(H / BEP L016)	mm	1488
Cab entry	(B / BEP L102)	mm	615
Wheelbase	(F / BEP L011)	mm	4000
Technical wheelbase	(F' / BEP L015)	mm	4000
Rear overhang	Chassis, overall (BEP L017)	mm	2070
Overall Chassis Length	(A / BEP L001)	mm	7483
Centre of Gravity of load	Min. (Ymin / BEP L104)	mm	493
	Max. (Ymax / BEP L103)	mm	747
Min Overall Length (Z)	(Zmin / BEP L001)	mm	7380
Max Overall Length (Z)	(Zmax / BEP L001)	mm	7888
Bodywork rear overhang	Min. (Xmin / BEP L017)	mm	1892
	Max. (Xmax / BEP L017)	mm	2400

## HEIGHTS

Wheelbase		mm	4.000
Cab height (unladen)	(O)	mm	3393
Max. exterior height unladen	(BEP H001)	mm	3536
Side member height	(BEP H032)	mm	300
Ground clearance, laden	Front (U1 / BEP H015)	mm	353
	Rear (U3 / BEP H016)	mm	346
Frame top height at front axle	Unladen (H1 / BEP H035)	mm	1268
	Laden (H1 / BEP H036)	mm	1208
Frame top height at drive axle	Unladen (H2 / BEP H037)	mm	1294
	Laden (H2 / BEP H038)	mm	1205
Frame top height at the rear of the frame	Unladen (HN)	mm	1307
	Laden (HN)	mm	1204

## WIDTHS

Wheelbase		mm	4.000
Max. cab width	(BEP W002)	mm	2492
Frame width	Front (BEP W035)	mm	1080
	Rear (BEP W036)	mm	852
Width at rear wheels	Rear axle 1 (V3 / BEP W003.2)	mm	2507
Track	Front (V1 / BEP W013.1)	mm	2047
	Rear 1 (V2 / BEP W013.2)	mm	1837

## OTHER

Wheelbase		mm	4.000
Side member thickness	(BEP W034)	mm	13
Turning Radius	kerb to kerb	mm	7610
	Overall (BEP W012)	mm	8250

## DXi13 ENGINE

### 420 hp - 13L - E3

6-cylinder in-line diesel engine - High-pressure fuel-injection (2400 bar) by pump injectors - 24 valves - overhead camshaft, rear-mounted timing  
 Bore 131 mm - stroke 158 mm - Capacity 12.8L  
 Electronically controlled fan  
 Turbocharger  
 Direction of rotation (seen from G/B end): anti-clockwise  
 Oil service interval up to 100,000 km  
 Sheet metal oil sump  
 EEC EURO III exhaust emissions level  
 Cooling liquid

## ENGINE EQUIPMENT

Aluminium engine flywheel casing.  
 Fast idling control whilst moving (muddy site)  
 Without engine Power Take Off.  
 Electronic speed limiter (90 km/h).

## CLUTCH

Single-plate clutch, diameter 430 mm

## GEARBOX

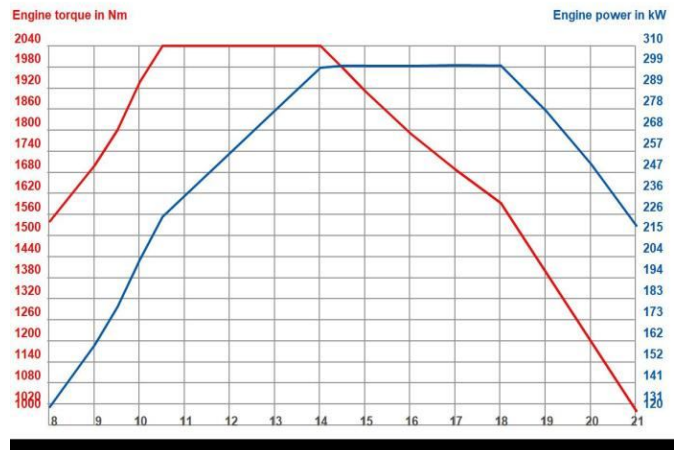
Optidriver AT 2612 gearbox (14.94 - 1) with automatic clutch. Aluminium housing.  
 Max. torque 2550 Nm, 12 forward gears and 3 reverse gears.  
 Steering wheel-mounted operating mode selection (automatic/manual) via gear shift selector,  
 Reinforcement of the Optidriver gearbox for heavy duty use (XTREM)  
 Heavy duty gearbox oil cooler, oil/water external heat exchanger

## TRANSFER BOX

Single-stage transfer box BT C 2501  
 Without differential lock

## RETARDER

OPTIBRAKE+ :  
 Combination of the exhaust brake retarder and valve braking.  
 Full electronic management (power : 414kW at 2300 rpm), coupled to service brake.



## POWER TAKE-OFF

Power take-off S81  
 Output: splined hollow shaft (DIN 5462)  
 Direction of rotation: opposite to engine  
 Torque: 1000 Nm  
 Ratios: 0.90/1.14  
 Position: 18h

## STEERING

Power steering, variable-flow hydraulic pump  
 Steering ratio 26.2:1 - Steering wheel diameter 460 mm  
 Driving on the right

## FRT. DR. AXLE

## FRONT AXLE

Front suspension and hub joints with grease nipples  
 Front drive axle PA 903  
 Front load capacity (technical max.): 8 t

## WHEELS AND TYRES

Dimension 13 R22.5  
*Profile G. OMNITRAC-HD S/D*  
 Steel disc wheels  
 Without spare wheel.

## REAR DRIVE AXLE

P1361 double reduction final drive axle  
Integral differential lock  
Rear loading capacity (technical max.): 13 t  
Drive axle ratio: 3.76  
Engine speed at 90 km/h: 1645 rpm

### Service brake:

Twin-cylinder air compressor 900 l/min, 636 cm<sup>3</sup>  
Braking system with two independent circuits  
Drum brakes  
Dust protection on rear brake  
Electronic management of air production by EACU (Electronic Air Control Unit):  
Dryer cartridge optimised by preventive maintenance.  
*Steel protective cover on EACU*  
Silencer on pneumatic circuit  
Without rear trailer coupling.  
*Adaptation: "Forced parking brake if driver's door is open at a speed below 3 km/h"*  
High-position rear brake cylinders

### EBS:

Anti-lock braking system (ABS)  
Retarder and service brake linking  
Differential engagement management (if equipped) at speeds <10 km/h (4x2)  
Hill Start Aid  
Braking performance warning  
Emergency brake assist (EBA)  
Emergency brake lights (EBL)

### Parking brake:

EPB (Electronic Parking Brake) automatic parking brake, immobilization provided by spring cylinders  
Reinforced parking brake

### Brake adjustment:

Automatic brake lining slack compensation.

### Emergency brake:

Ensured by independence of main device circuits

## CAB

### Cab exterior:

Day cab  
All steel Cab, electro-zinc plated and cathaphoretic paint treatment.  
Cab paint colour: White ekla  
technical code: 09350  
Red badge  
Four point mechanical cab suspension.  
*2 heated, remote control rear view mirrors.*  
*2 wide angle rearview mirrors.*  
*Kerb view mirror.*  
Rear view mirrors for bodywork up to 2.55 m wide  
Air horn  
Front wing mudflaps  
Exterior parts finished in black  
*External sun visor*  
Tinted, laminated windscreen.  
Tinted rear cab window

### Cab interior:

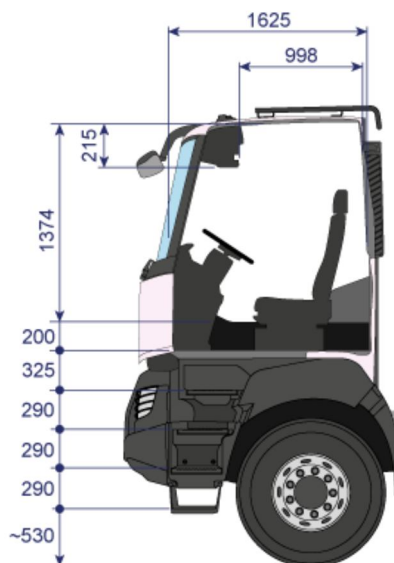
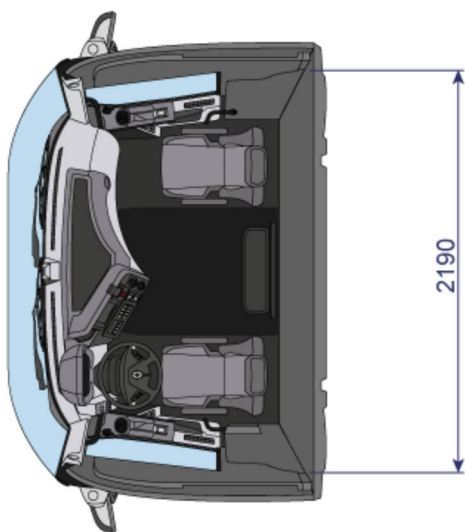
Cab interior finish - Dark  
Quality roof console, 1 storage compartment with key lock, 1 storage space with net and 4 ISO modules  
Interior sun blind on windscreen and driver's side window  
*Offset 2-driver tachograph with instrument panel information display*  
Manual roof vent  
Mosquito net on air vent  
Adjustable vertical damping  
Adjustable seat back  
Length and height-adjustable  
Seat quick-drop function with height setting storage  
Removable seat cover  
Integral headrest  
Two driver's armrests  
Red seat belts  
Seat belt fastened reminder  
seat squab tilt  
Length-adjustable  
Integral headrest  
Without air suspension  
Cloth fabric trim  
Blower  
Removable rear storage compartment, left-hand side  
Reading lamps on overhead ledge  
Direct cab lighting  
Cab lighting time-delay.  
2 Coat hooks on rear panel  
Electrically operated door windows  
*Electronic air conditioning.*  
Cab air filtration, washable filter  
Handbook and Service pack in French.  
2 loudspeakers.

### Steering wheel equipment:

"Performance" 4-spoke steering wheel adjustable for height and depth, with control for cruise control  
OPTIBRAKE and retarder control on right-hand side  
3-way adjustable steering column

### Instrument panel:

COMPACT dashboard  
7" HD colour information display  
12V socket on dashboard, for accessories.  
Starting inhibitor controlled by transponder key.  
Start button  
Customer speed +5 km/h downhill  
Cruise control and speed limiter configurable by rotary control  
Power Mode (Eco/Eco Off)  
Without Eco Mode



### ELECTRONIC EQUIPMENT:

English and French language display  
Additional language (Spanish)  
SAE cab socket for vehicle data extraction  
[FMS Gateway fleet management interface 3.0](#)  
4G TGW3 telematics unit (telematic gateway) including an antenna and enabling subscription to Optifleet services (Map, Check, Drive)

### ELECTRICAL EQUIPMENT

Battery capacity: 185 Ah  
Batteries with level check  
Battery cut-out remote control  
Electrical circuit automatically goes to standby  
Alternator : 150 amp capacity.  
Rear signalling lighting.

### CHASSIS

Chassis protective paintwork, mineral grey colour  
technical code: 03650  
Chassis reinforcement from gearbox crossmember to rear of chassis  
Standard rear overhang, pre-drilled for bodybuilder  
Reinforced removable front towing cap  
Without rear under-run bar .  
Transmission crossmember Medium  
Closing cross member with pre-drilling for towing yoke  
[Twin cartridge air filtration for dusty environments](#)  
Side exhaust.  
[Reinforced exhaust silencer mounting](#)

## BUMPER - STEPS AND LIGHTING

Steel bumpers  
 Retractable windscreen access steps in radiator grille and under bumper  
 Access to driving position by 4 steps. 1st step flexible and of composite material.  
 Step lighting  
*Reinforced cab access steps*  
 BUMPER CORNERS AND CENTER PAINTED IN BLACK  
 Lighting adjustment  
 Lighting to EEC standards.  
 Provision for lighting rail on front end  
*2 rotating orange LED lights*

## SUSPENSION

### Front suspension

3-leaf reinforced front leaf springs  
 Stabiliser bar

### Rear suspension:

4-leaf parabolic rear springs  
 Stabiliser bar  
 Rear shock absorbers

## FUEL TANK

Main steel tank.  
 Main fuel tank: 315 litres capacity D560 profile mounted on right  
 Heavy duty fuel prefilter (R120), reinforced on chassis.

## AdBlue

without AdBlue tank

## STANDARD EQUIPMENT

Tool kit.  
*Reversing warning buzzer, including night switch.*  
 Windscreen washer bottle capacity: 8.8L

## BODYWORK

Flexible bodywork attachment with springs  
 Body mounting brackets (front only)  
 Interface for bodybuilder connections and BBM module (Body Builder Module)

## SERVICE

### Optifleet:

Optifleet Check: technical data reports for fuel consumption monitoring by vehicle and by driver, 1-year prepaid subscription  
 Optifleet Map: vehicle geolocation, geofencing and route analysis, 1-year prepaid subscription

## GEARBOX RATIOS

1	2	3	4	5	6	7	8	9	10	11	12
14.94	11.73	9.04	7.09	5.54	4.35	3.44	2.70	2.08	1.63	1.27	1.00

*The manufacturer reserves the right to modify the specifications above without prior notice.  
 Non contractual document.*

*For further assistance please contact Product Applications at Renault Trucks UK Limited, Wedgnoek Lane , Warwick , CV34 5YA Telephone+44 (0)1926 475333.*