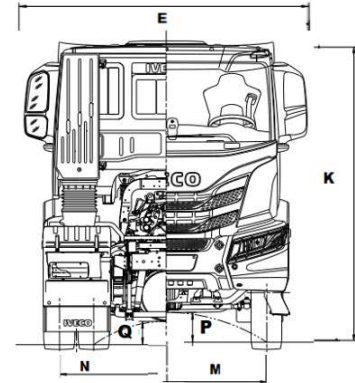
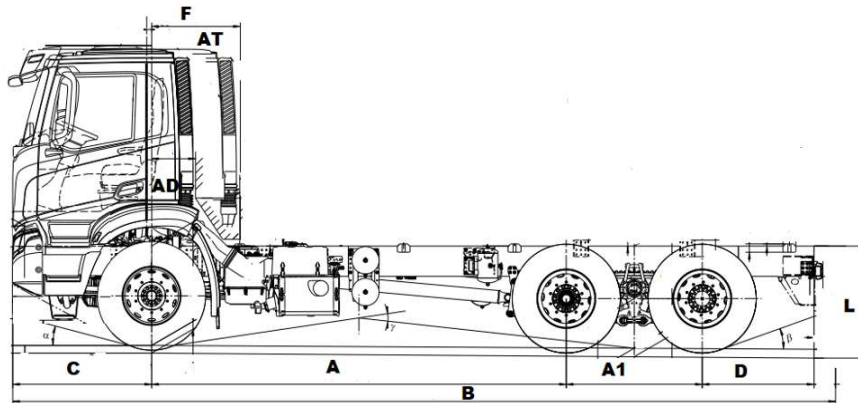


AT-AD 380T43 WH Euro III

Rigid 6x6



WEIGHTS (kg.)	G.V.W.*	G.C.W.*	Front axle	Rear axle
Design weights (std.)	34.000	44.000	8.000	26.000
Design weights (opt.)	41.000	72.000	8.500-9.000**	32.000**
* In according with markets and homologations				
**8.500 or 9.000 with 32.000 only tires 20022-20013-20746-20755-20780-20430				
**8.500 or 9.000 with 26.000 only tires 20885-20022-20013-20746-20755-20780-20430				

KERBWEIGHTS (kg.) cab / wb.	AD	3.500	3.800	4.200	4.500
Front axle		5.647	5.650	5.691	5.730
Rear axle		4.718	4.792	4.807	4.815
Total		10.365	10.442	10.498	10.545
PAYLOAD (kg.) @ G.C.W. 44t		33.635	33.558	33.502	33.455

DIMENSIONS (mm)		3.500	3.800	4.200	4.500
A	Wheelbase	3.500	3.800	4.200	4.500
A1	Tandem	1.390	1.390	1.390	1.390
B	Overall length (over bumpers)	8.067	8.697	9.327	9.597
C	Front overhang	1.440	1.440	1.440	1.440
D	Rear overhang	1.495	1.848	2.073	2.073
E	Cab width	2.550	2.550	2.550	2.550
F	Cab gap	445	445	445	445
		AD	AT		
		900	900	900	900
K	Cab height (unladen)*	3.240	3.240	3.239	3.238
L	Frame height at rear frame end	1.193	1.193	1.194	1.194
	Frame thickness	10,0	10,0	10,0	10,0
	Turning circle (kerb to kerb)	19.400	20.300	21.500	22.300
	Turning circle (wall to wall)	21.000	21.900	23.100	23.900
M	Front track	1.981	1.981	1.981	1.981
N	Rear track	1.831	1.831	1.831	1.831
P	Ground clearance (front)	371	371	371	371
Q	Ground clearance (rear)	311	311	311	311

* Low roof standard

TIRES & WHEELS	Tire code	Mission	Tire dimensions		Wheel dimensions	
			Front	Rear	Front	Rear
Standard	20081	B	13 R 22,5	13 R 22,5	22,5 x 9,00	
Option	20795	B	315/80 R 22,5	315/80 R 22,5	22,5 x 9,00	
Option	20497*	B	12 R 20	12 R 20	20 x 8,5	
Option	20022-20013-20746-20755	C/B/A/B	325/95 R 24	325/95 R 24	24 x 8,5	
Option	20477	C/E	395/85 R 20	525/65 R 20	20 x 10	
Option	20780-20430	E/C	14.00 R 20	14.00 R 20	20 x 10	
Option	20885	B	385/65 R 22,5	315/80 R 22,5	22,5x11,75	22,5x9,00

*Only 7500-26000 allowed

Tyre mission code: A =mixed; B = mixed off road; C = off road; D = on snowy ground; E sandy tracks

NOTE: Weights are to standard specification and include water, full fuel tank ,oils, tool box, jack and 75 kg. driver. Kerb weights are subject to a manufacturing tolerance of +/- 5%.

IVECO

T-WAY

AT-AD 380T43 WH Euro III

ENGINE	Iveco Cursor 13 F3HGE611
Turbocharger	Waste gate
Cylinders in line	6
Bore (mm)	135
Stroke (mm)	150
Capacity (litres)	12,9
Max power (HP/kW)	430/316
@ rpm	1900
Max torque (Nm/mKg)	2100
@ rpm	900
Engine brake power	306 kw
Cooling fan	Electro-magnetic
Fuel system	Common rail,high pressure
Speed limiter	85kmh
Cruise control	Standard
Engine air	Grid heater

GEARBOXES	Ratios	HI-TRONIX	MECHANICAL
		16TX 2240 TO	16S2220 TO
	1st	14,68	13,80
	2nd	12,05	11,54
	3rd	9,92	9,49
	4th	8,14	7,93
	5th	6,78	6,53
	6th	5,56	5,46
	7th	4,57	4,57
	8th	3,75	3,82
	9th	3,22	3,02
	10th	2,64	2,53
	11th	2,17	2,08
	12th	1,78	1,74
	13th	1,49	1,43
	14th	1,22	1,20
	15th	1,00	1,00
	16th	0,82	0,84
	Rev 1	14,14	12,92
	Rev 2	11,61	10,80

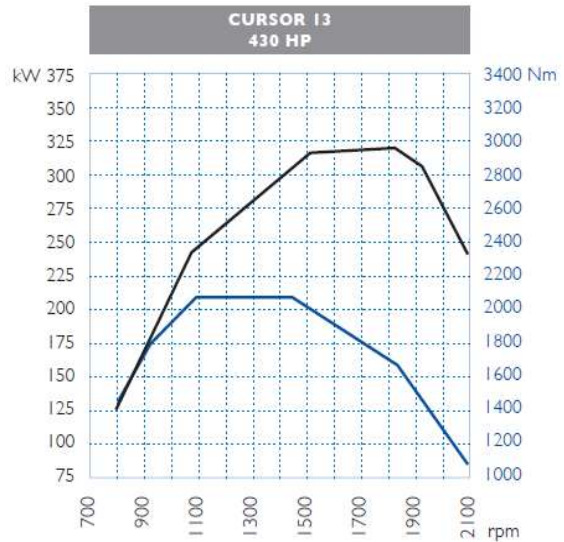
PERFORMANCE	(with standard tyres)				
Type: ZF 16 TX 2240 TO					
Axle ratios available	4,67	4,23	5,01	5,56	6,09
Geared speed (km/h)	N/A	N/A	N/A	N/A	N/A
Gradeability % @ 44 t G.C.W.	N/A	N/A	N/A	N/A	N/A

Type: ZF 16 S 2220 TO					
Axle ratios available	4,23	3,79	4,67	5,01	5,56
Geared speed (km/h)	N/A	N/A	N/A	N/A	N/A
Gradeability % @ 44 t G.C.W.	N/A	N/A	N/A	N/A	N/A

CLUTCH	
Type	Single dry plate
Diameter (mm)	(17") 430 mm

BRAKES	
Type	2 independent pneumatic circuits
Service	E.B.S + B.A.S
Front axle	Duo-duplex drums. Dia.:410x180mm Friction area: 2884 cm2
Rear axle	Duo-duplex drums. Dia.:410x200mm Friction area: 3220 cm2
Parking	Mechanical with spring cylinder, rear.
Emergency	Combined with parking brake.
Air reservoirs WB3300	1 x 10 + 2 x 20 + 1 x 30 litres, steel
Air reservoirs other WB	3 x 20 + 1 x 30 litres, steel
Air compressor	630cc
Heated air dryer	Air Processing Unit

TRANSFER BOX	TC 2200, Gb independent, carter in aluminium,
Ratio	On road: 1/1 – Off Road: 1/1,6.
Inter axle split	Front 20% - Rear 80%



ELECTRICS	
Tension	24v negative earth return
Alternator	28v, 90A
Starter	24v, 5.5kW
Batteries	2 x 12v, 170Ah
Circuits protected	By fuse
System	Multiplex - CAN line data bus

SUSPENSIONS	
Front	Parabolic leaf
Rear	Semielliptic leaf 13 leaves
Anti roll bar	Front & 1st rear
Shock absorbers	Front and rear.

STEERING	
Type ZF 8098	Power assisted
Steering wheel diameter	510 mm

AXLES	
Steering	Iveco 5985. Rigid.
Drive	Iveco 453291.Tandem hub reduction.

FUEL TANK	
Type and capacity	390lt., aluminium with lockable fuel cap.

CAB INTERIOR

Active Time
Fabric air suspended driver's seat with seat belt and headrest. Fabric passenger seat with seat belt and headrest. 1 bunk without net protection. Rear wall without windows. Manual air conditioning. Driver door sunblind. Radio and CB provision. Foamed steering wheel. Hill holder only with gearbox 16TX. Manual EMEA-APAC. Momo-tone reverse buzzer. Speedometer KMH/MPH. Expansion module and PTO pre-equipment. 2 key with immobilizer. Warning triangle. Jacking equipment. Tire inflation hose.

Active Day
As above without bunk & under storage, with rear bulk head storage & writing pad.

CAB EXTERIOR

Active Time
Forward control cab. Galvanised pressed steel construction, with SMC for vulnerable parts. Mechanical cab suspension. Manual cab tilt to 60 deg. Tinted electric door windows and tinted laminated screen. Manual rear-view mirrors heated plus kerb and wideangle mirrors, according to 2003/97/EC. Blind rear cab panel. External stowage for tools. New front grid.

Active Day
As above without external stowage.

CHASSIS
Ladder construction. Pressed steel side members and riveted and bolted cross members. Lenght x width mm 309x80